

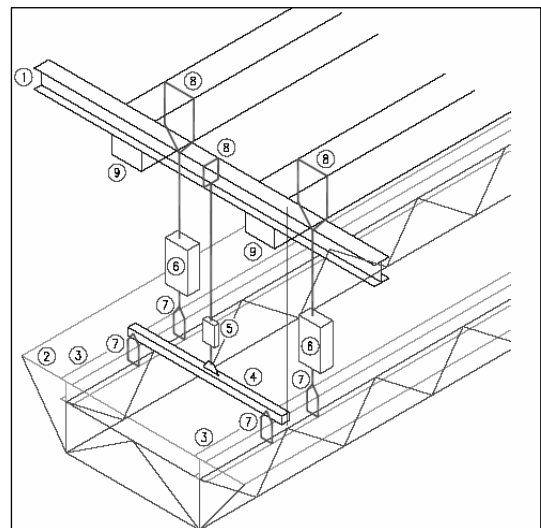
Alexander Bridge: Sunderland Removal of Under-Bridge Access Platform



With the alloy decking removed and the 4 x 1000Kg lifting hoists and back up safety devices rigged the redundant full span bridge access platform is lowered to ground controlled by the A-L-P-S on-board Roped Access operatives.



The two identical “70s” bridge access platforms are lowered in a controlled manor until safely at ground level.



General Rigging Arrangement

The redundant Bridge Access platforms had to be carefully manoeuvred into the final lowering position, the bridge spanning both road-ways, pedestrian-ways and water-ways.



www.alps-uk.com

Access Lifting Pulling & Safety Ltd Stubby Hollow: Dronfield, Sheffield, S18 1PA
Tel: 01246 413 111 Fax: 01246 417 545 Email: access@alps-uk.com